



**BK - SERIES
SEWAGE & WASTEWATER PUMPS**

SPECIFICATIONS

■ FEATURES

1. Internal cooling jacket offers continued cooling during low sump levels or dry pit Pumping.
2. Enclosed Multi-vane, impellers, with field adjustable / replaceable wear plate provides for high wear resistance and enhanced solids handling capability.
3. Highly efficient, continuous duty air filled, copper wound motor with class F insulation minimizes the cost of operation.
4. Built in thermal protection prevents motor failure due to overloading, accidental run-dry and single phasing in three phase units.
5. Double inside mechanical seals with silicon carbide faces, running in an oil filled chamber, equipped with an oil lifter,, and further protected by an exclusionary oil -

- Seal(s), provides for the most durable seal design available.
6. Double shielded, permanently lubricated, high temperature C3 ball bearings rated for a B-10 life of 60,000 hours provide for extended operational life.

■ APPLICATIONS

1. Commercial, Industrial sewage, wastewater, or effluent transfer.
2. Decorative fountains and aquiculture .
3. Raw water supply from rivers or lakes.
4. Dry pit sump design available.



■ SPECIFICATIONS

Discharge Size
 Horsepower Range
 Performance Range, Capacity Head
 Maximum water temperature
 Materials of Construction
 Casing
 Impeller
 Shaft
 Motor Frame
 Fasteners

Mechanical Seal
 Elastomers

Impeller Type
 Solids Handling Capability

Bearings

Motor Nomenclature
 Type, Speed, Hz.

Voltage, Phase

Insulation
 Accessories

Operational Mode

■ STANDARD

6" ~ 16" (150 ~ 400 mm)
 30 Hp. ~ 60 Hp. (22 kW ~ 45 kW)
 429 ~ 6340 G.P.M. (1.6 ~ 24.0 m³/min)
 10.7 Ft.~154.2 Ft. (3.3 ~ 47.0m)
 104° F. (40° C.)

Cast Iron, ASTM 48 Class 35
 Cast Iron, ASTM 48 Class 35
 420 Stainless Steel
 Cast Iron, ASTM 48 Class 30
 304 Stainless Steel

Silicon Carbide
 NBR (Nitril Buna Rubber)

Semi-open, Enclosed, solids handling.
 1.57" ~ 4.25" (40 ~ 108 mm)

Pre-lubricated, Double Shielded

Air Filled,
 3600, 1800, 1200 & 900 Rpm, 60 Hz.

460 or 575 V., (3 Phase)

Class F
 Submersible Power Cable 32' (10 m)

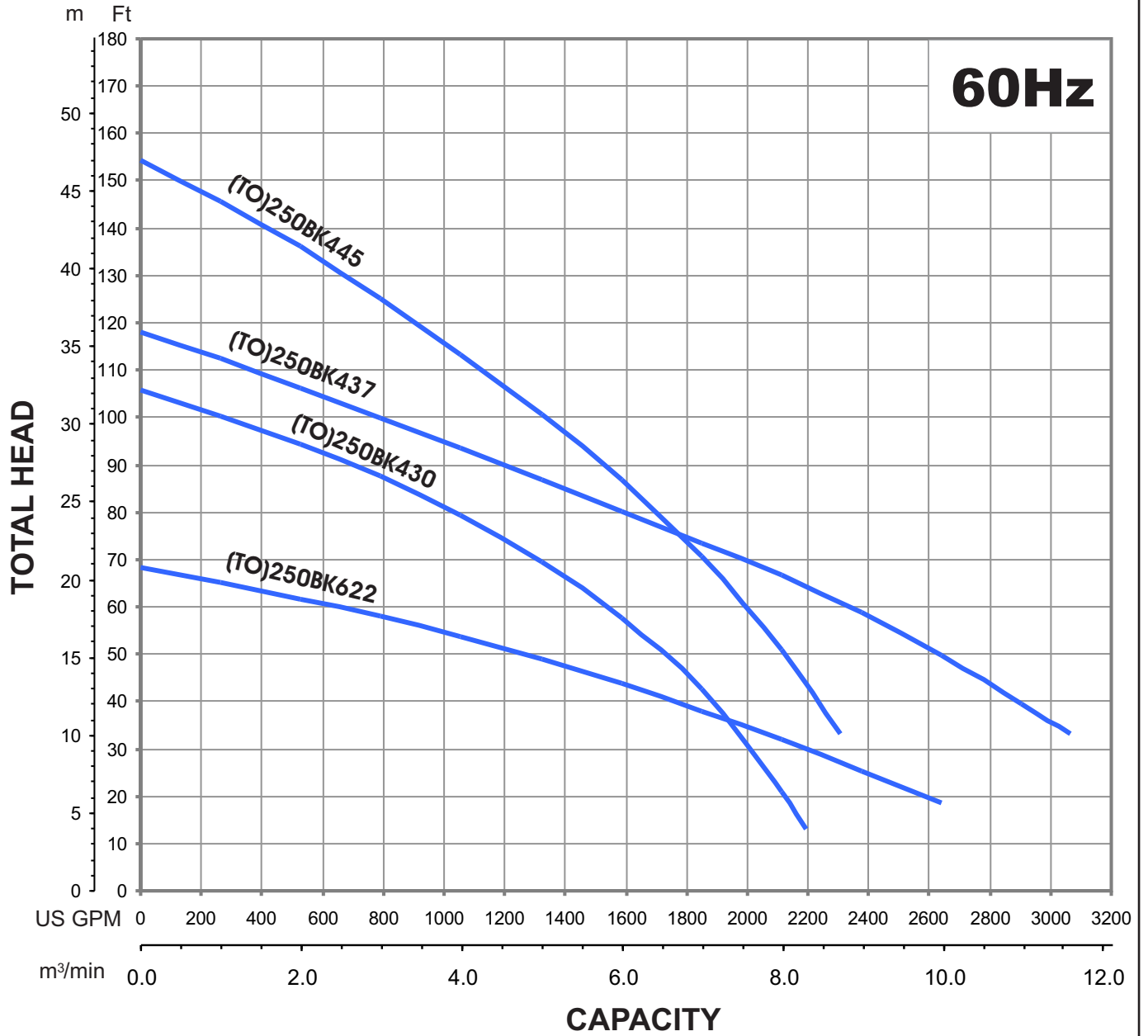
Manual

■ OPTIONS

Dry-Pit

Length as required.
 TO/TOS Slide Rail System

GROUP PERFORMANCE RANGE



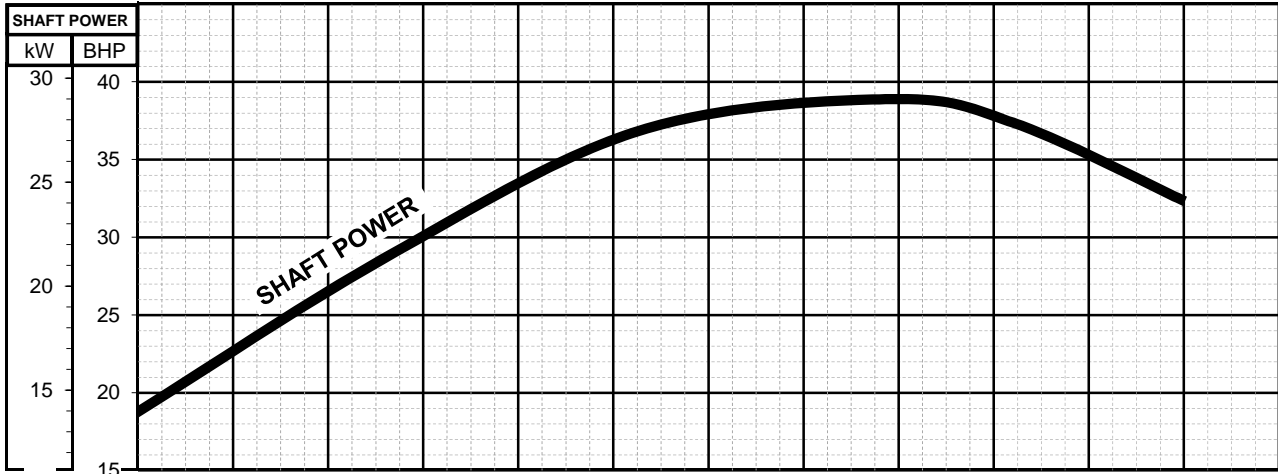
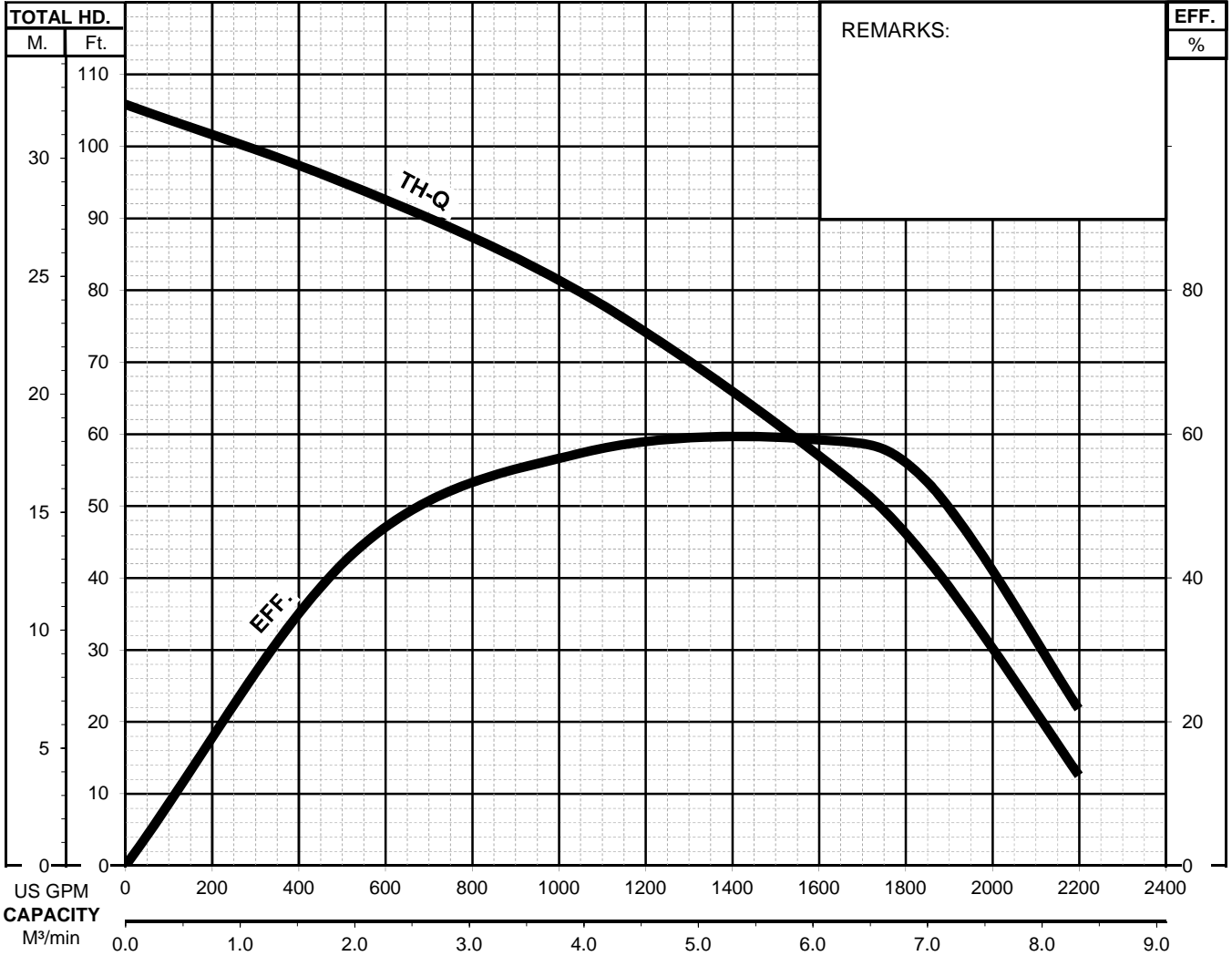


BK - SERIES

SEWAGE & WASTEWATER PUMPS

PERFORMANCE
CURVE

MODEL		BORE	HP	KW	RPM	SOLIDS DIA.	LIQUID	SG.	VISCOSITY	TEMP.
(TO)250BK430-62		10"/250mm	40	30	1750	2.26"/57.5mm	Water	1.0	1.123cSt.	60°F
PUMP TYPE		PHASE	VOLTAGE		AMPERAGE		HZ	STARTING METHOD		INS. CLASS
Sewage & Wastewater		3	460/575		52 / 42		60	Star-Delta		F
CURVE No.	DATE	PHASE	VOLTAGE		AMPERAGE		HZ	STARTING METHOD		INS. CLASS
-	-	-	-		-		-	-		-

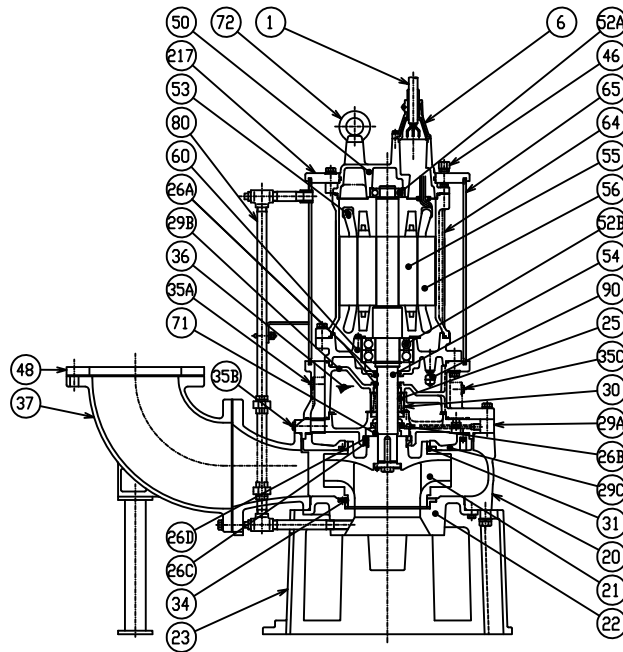




B-SERIES
SEWAGE & WASTEWATER PUMPS

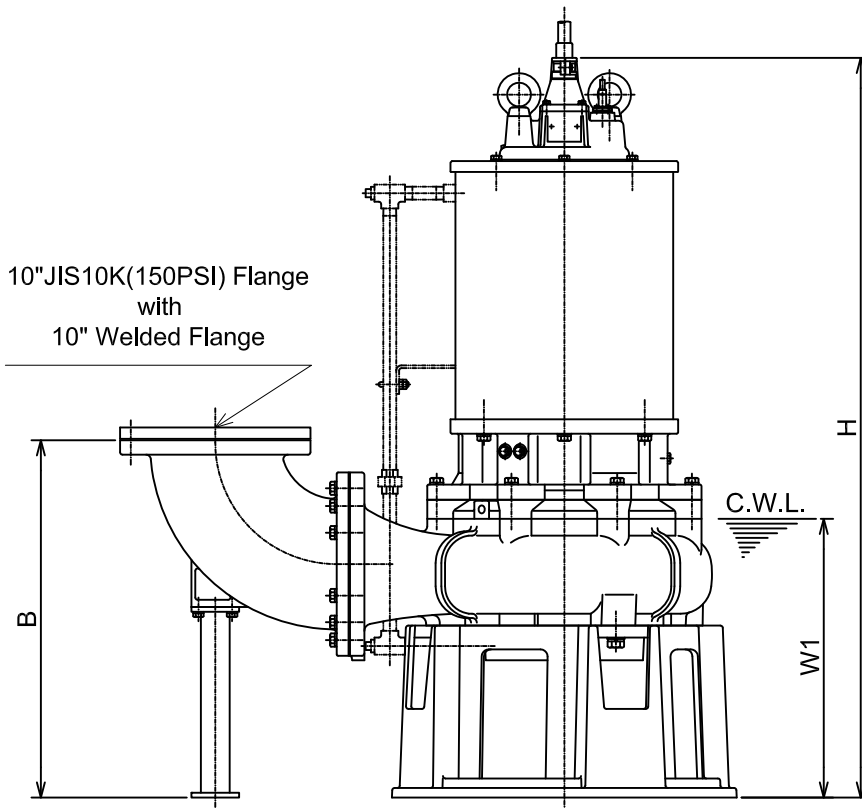
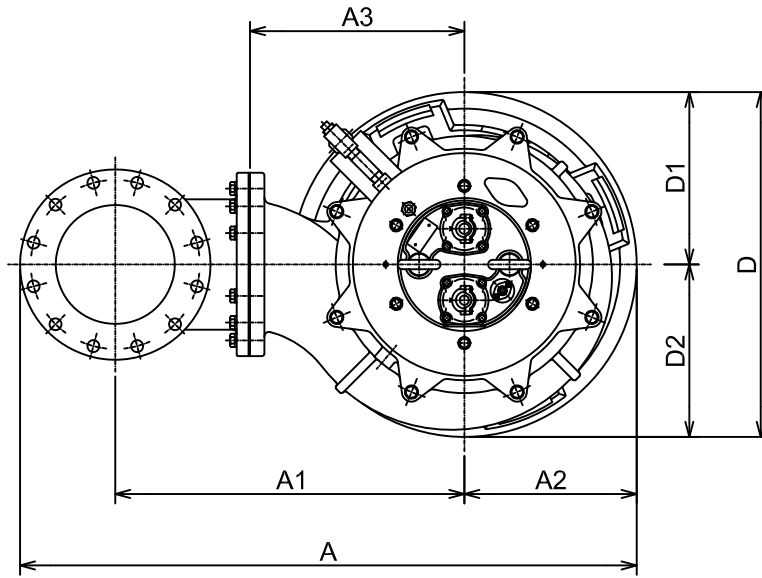
SECTIONAL VIEW

250BK430 -62



PART#	DESCRIPTION	MAIN MATERIAL / NOTE	RELATED ASTM,AISI CODE	RELATED EN CODE	QTY
1	Power Cable	Chloroprene Sheath AWG 6/4-32ft			1
	Power Cable	Chloroprene Sheath AWG 6/3-32ft			1
	Control Cable	Chloroprene Sheath AWG 14/4-32ft			1
6	Stuffing Box	Cast Iron	A48M Class30B	EN 1561 GJL-200	2
20	Pump Casing	Cast Iron	A48M Class35B	EN 1561 GJL-250	1
21	Impeller	Cast Iron	A48M Class35B	EN 1561 GJL-250	1
22	Suction Cover	Cast Iron	A48M Class35B	EN 1561 GJL-250	1
23	Suction Strainer	Ductile Cast Iron	A536 80-55-06	EN 1563 GJS-500-7	1
25	Mechanical Seal	Silicon Carbide / H-60			1
26A	Oil Seal	NBR / TC60789			2
26B	Oil Seal	NBR / TC709513			1
26C	Oil Seal	NBR / TC11014014			1
26D	Labyrinth ring	Stainless Steel	S 30400	1.4301	1
29	Oil Casing	Cast Iron	A48M Class35B	EN 1561 GJL-250	1
29A	Casing Cover	Cast Iron	A48M Class35B	EN 1561 GJL-250	1
29B	Casing Plate	Cast Iron	A48M Class35B	EN 1561 GJL-250	1
30	Oil Lifter	Steel (Cold Rolled)	A109/A1008	EN 10130	1
31	Wear Ring	Cast Iron	A48M Class35B	EN 1561 GJL-250	1
34	Mouth Ring	Cast Iron	A48M Class35B	EN 1561 GJL-250	1
35A	Oil Plug	Stainless Steel	S 30400	1.4301	2
35B	Oil Plug	Stainless Steel	S 30400	1.4301	1
35C	Drain Plug	Stainless Steel	S 30400	1.4301	1
36	Lubricant	Turbine Oil ISO VG32 or SAE 10W-20			
37	Discharge Bend	Cast Iron	A48M Class30B	EN 1561 GJL-200	1
46	Air Release Valve	Stainless Steel	S 30400	1.4301	1
48	Welded Flange	Cast Iron / 10"	A48M Class30B	EN 1561 GJL-200	1
50	Motor Bracket	Cast Iron	A48M Class30B	EN 1561 GJL-200	1
52A	Upper Bearing	#6309ZZC3			1
52B	Lower Bearing	#6314ZZD2C3			1
53	Motor Protector				3
54	Shaft	Stainless Steel	S 42000	1.4021	1
55	Rotor				1
56	Stator				1
60	Bearing Housing	Cast Iron	A48M Class30B	EN 1561 GJL-200	1
64	Motor Housing	Cast Iron	A48M Class30B	EN 1561 GJL-200	1
65	Outer Cover	Steel Pipe (& Steel)	A53 Type F (& A283 Grade D)	DIN 1615 St 33 (& EN 10025 S275)	1
71	Shaft Sleeve	Stainless Steel	S 30400	1.4301	1
72	Lifting Lug Bolt	Stainless Steel	S 30400	1.4301	2
80	Cooling Pipe Set	Steel	A283 Grade D	EN 10025 S275	1
90	Leak Sensor (Float)				1
217	Fixing Plate	Cast Iron	A48M Class30B	EN 1561 GJL-200	1

250BK430 -62



C.W.L. :Continuous running Water Level

DIMENSIONS:USCS(Inch)

Model	HP	NOM. SIZE	Pump & Motor									C.W.L.	*Wt.
			A	A1	A2	A3	B	D	D1	D2	H	W1	(lbs.)
250BK430 -62	40	10"	51	28 7/8	14 1/4	17 11/16	29 1/2	28 1/2	14 1/4	14 1/4	61 1/8	23	1840

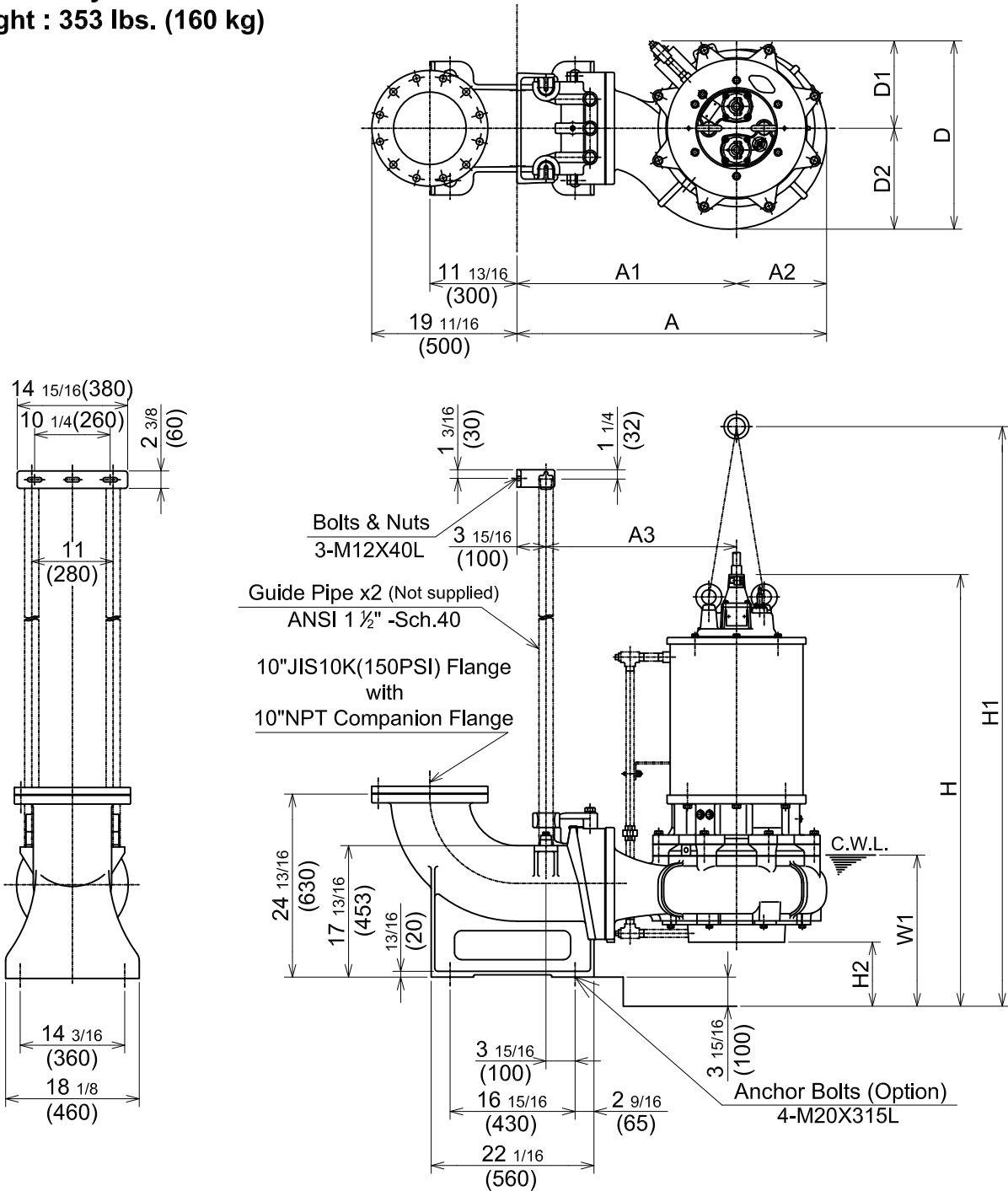
DIMENSIONS:METRIC(mm)

Model	kW	NOM. SIZE	Pump & Motor									C.W.L.	*Wt.
			A	A1	A2	A3	B	D	D1	D2	H	W1	(kg)
250BK430 -62	30	250	1295	733	362	450	750	724	362	362	1553	585	835

*Excluding Cable

Guide rail system : TO-250
Weight : 353 lbs. (160 kg)

TO250BK430 -62



C.W.L. :Continuous running Water Level

DIMENSIONS:USCS (Inch)

Model	HP	NOM. SIZE	Pump & Motor										C.W.L. W1	*Wt. (lbs.)
			A	A1	A2	A3	D	D1	D2	H	H1	H2		
TO250BK430-62	40	10"	41 15/16	29 3/4	12 3/16	25 13/16	25 1/2	11 7/8	13 11/16	58 1/2	78 9/16	8 11/16	20 1/2	1520

DIMENSIONS:METRIC (mm)

Model	kW	NOM. SIZE	Pump & Motor										C.W.L. W1	*Wt. (kg)
			A	A1	A2	A3	D	D1	D2	H	H1	H2		
TO250BK430-62	30	250	1066	756	310	656	648	301	347	1486	1995	221	520	688

*Excluding TO & Cable