

Water Feature Pump 2-PN

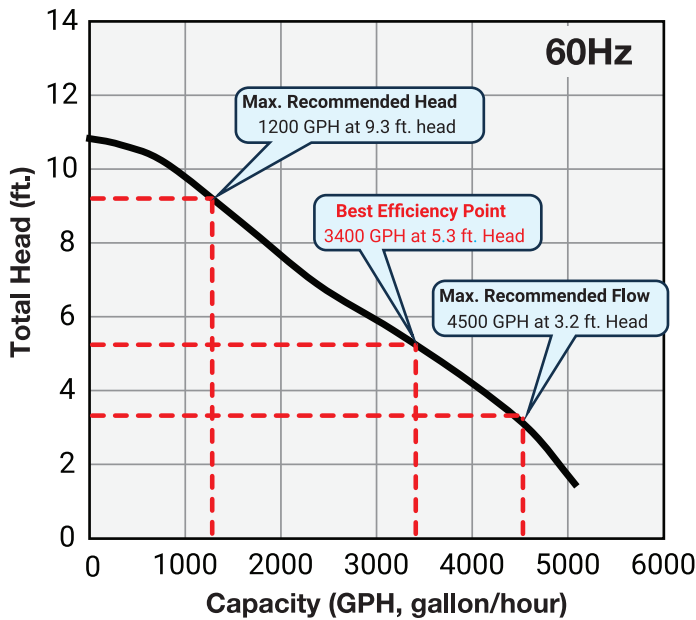


Introducing the New 2-PN Pump

Designed exclusively for the water feature market, the new **2-PN** delivers exceptional flow for waterfalls, streams, and ponds—offering strong performance at a lower cost. The result is a smart, efficient, and economical solution for modern water feature installations.

WHY 2-PN?

- Specifically engineered for pumping in water feature applications
- Ideal for water feature heights from 1 ft to 6 ft
- Durable construction for long service life in demanding water feature environments



Anti-Wicking Block:

Motor protected from water entry if cable is cut.

Thermal Motor Protector:

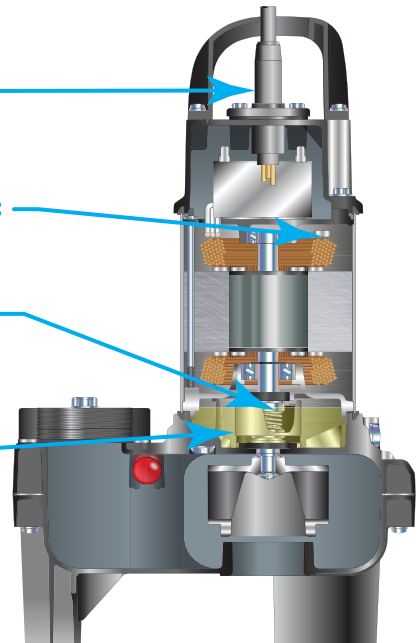
Protects motor from overheating.

Dual Mechanical Seal:

Silicon carbide dual mechanical seal for longer seal life.

Oil lifter:

Lubricates mechanical seal.



MODEL	Discharge Size (inches)	Output (HP)	Phase	Voltage (V)	Amps	Dimensions (inches, W x D x H)	Pump Weight (lbs.)
2-PN	2	1/5	Single	115	3.2	10 x 7 x 16	13