

HIGH-FLOW ELECTRIC SUBMERSIBLE TRASH PUMP **HS3.75SL**

Tsurumi offers a new high-flow version of the best-selling HS3.75S pump!

New

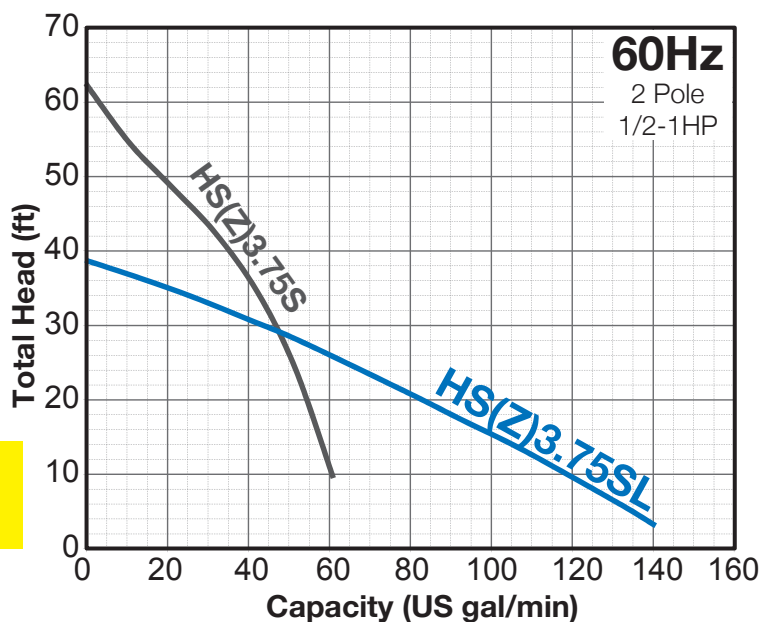


MANUAL
HS3.75SL



AUTOMATIC
HSZ3.75SL

- ★ Extension of Tsurumi's best-selling HS series submersible trash pumps
- ★ Designed by modifying the impeller and pump casing of HS3.75S for low head and high flow (suffix "L")
- ★ For applications under 10 feet of static head, this can provide double the flow rate of the HS3.75S
- ★ Still features the same wear resistant materials that offer long-term durability
- ★ Still compact and portable with excellent maintainability
- ★ Available as a MANUAL (HS3.75SL) or AUTOMATIC pump (HSZ3.75SL)



Maximum flow rate of 140 GPM and maximum total dynamic head of 40 feet.

Model	Motor Output (HP)	Phase	Discharge Size (inch)	Cable Length (ft)	Dimension (inch)		Pump Starting Water Level (inch)	Shipping Weight (lbs.)
					Diameter	Height		
HS3.75SL Manual	1	Single	3	32	12 7/16	16 3/4	3 1/2	50
HSZ3.75SL Automatic	1	Single	3	32	12 7/16	18 11/16*	18 11/16**	50

*Minimum Required Space **Pump Starting Water Level



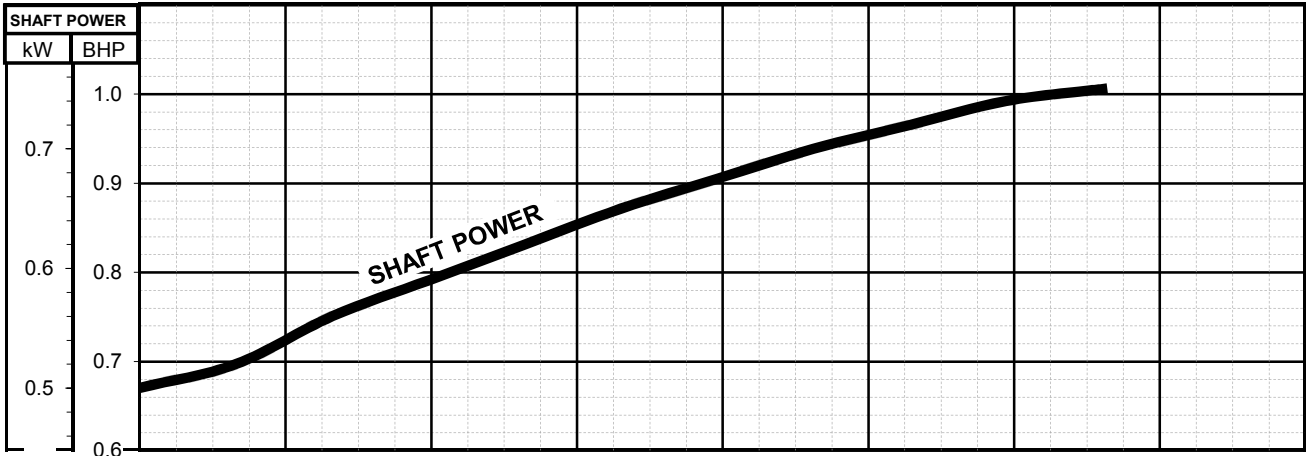
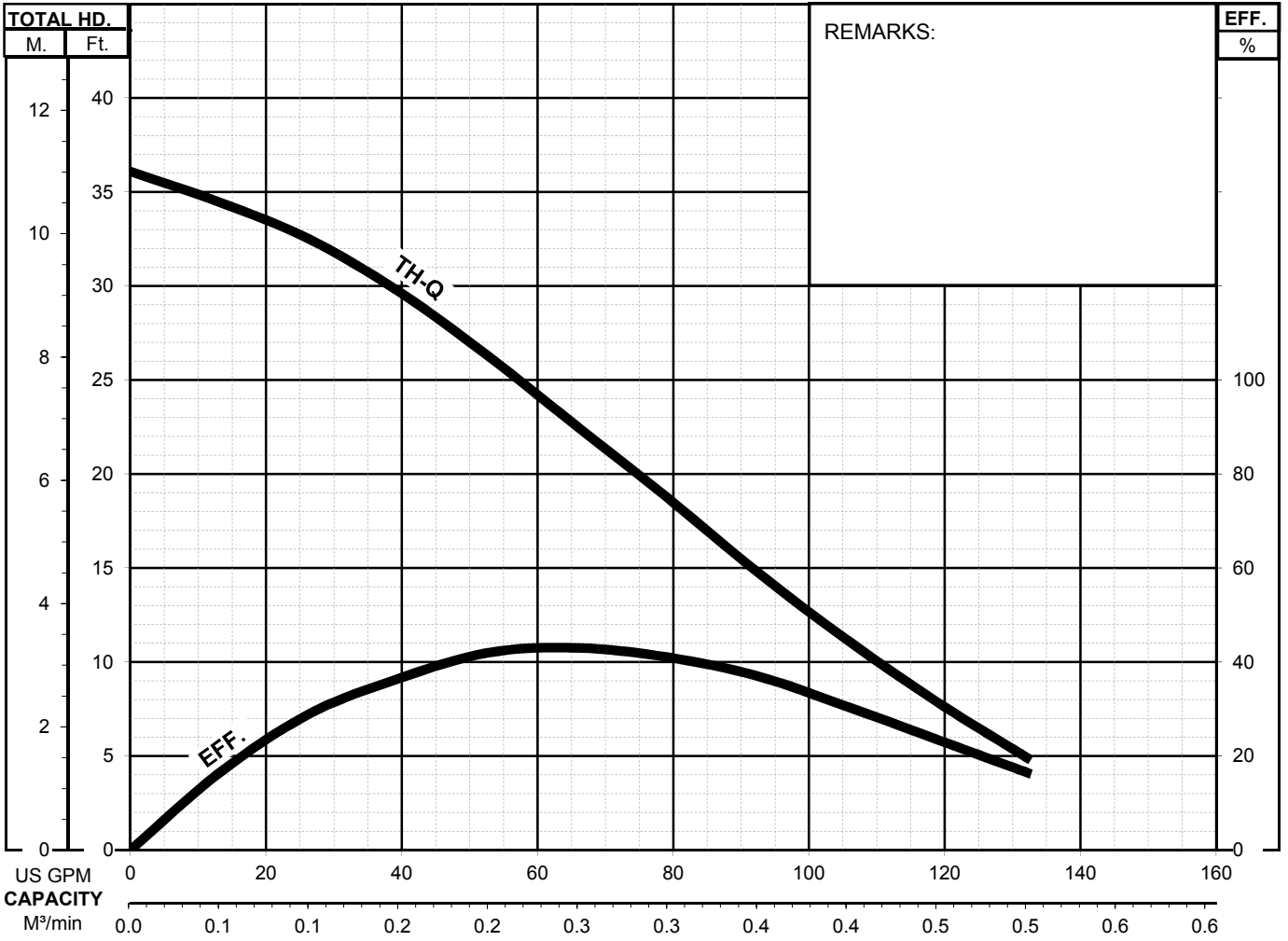


HS - SERIES

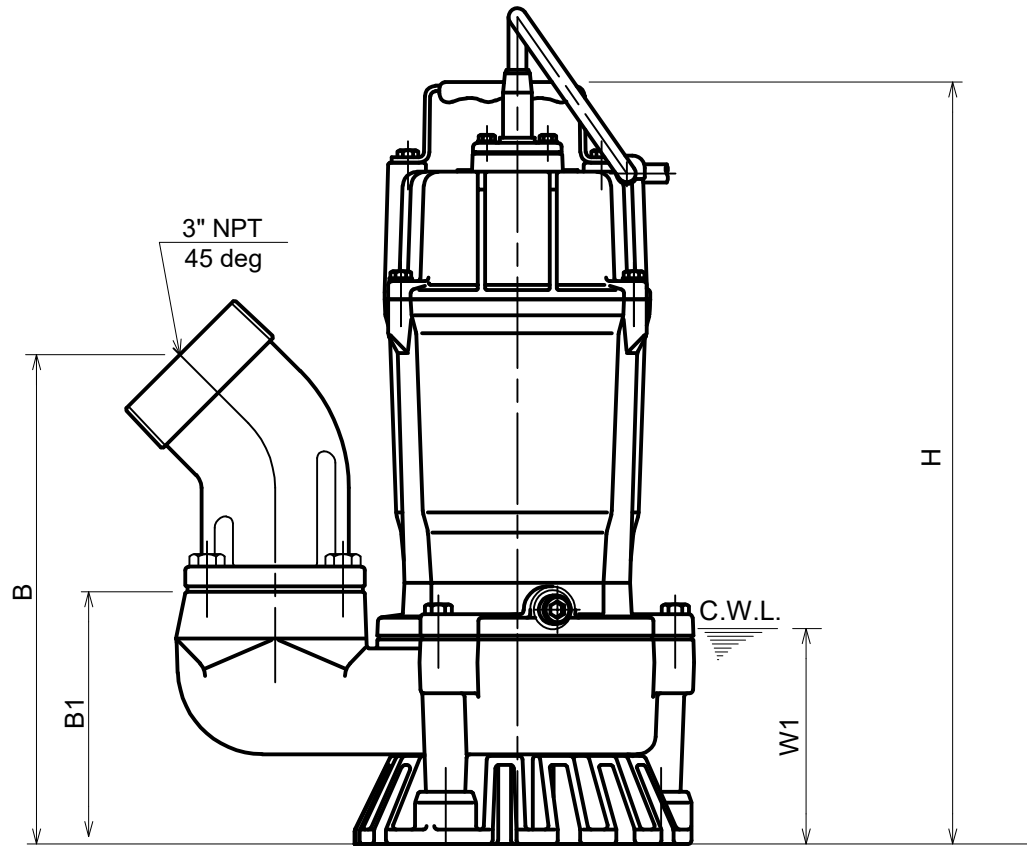
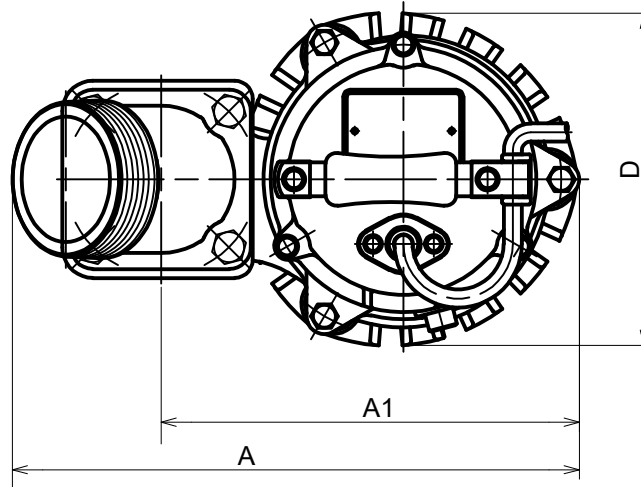
SEMI-VORTEX - WASTEWATER PUMP

PERFORMANCE CURVE

MODEL	BORE	HP	kW	RPM	SOLIDS DIA.	LIQUID	SG.	VISCOSITY	TEMP.
HS(Z)3.75SL-62	3"/80mm	1	0.75	3411	0.28"/7mm	Water	1.0	1.123cSt.	60°F
PUMP TYPE	PHASE	VOLTAGE	AMPERAGE	HZ	STARTING METHOD	INS. CLASS			
Semi-Vortex - Wastewater Pump	1	115 / 230	9.7 / 4.9	60	Capacitor Start	E			
CURVE No.	DATE	PHASE	VOLTAGE	AMPERAGE	HZ	STARTING METHOD	INS. CLASS		
-	-	-	-	-	-	-	-		



HS3.75SL-62



C.W.L. :Continuous running Water Level

DIMENSIONS:USCS (Inch)

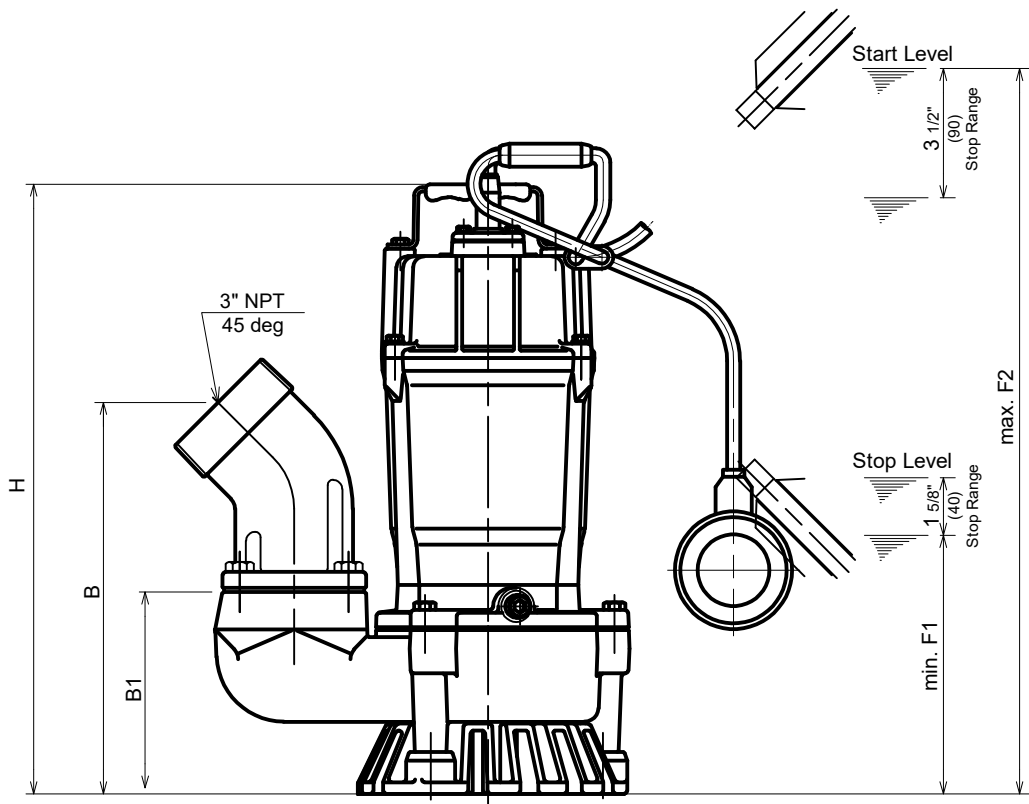
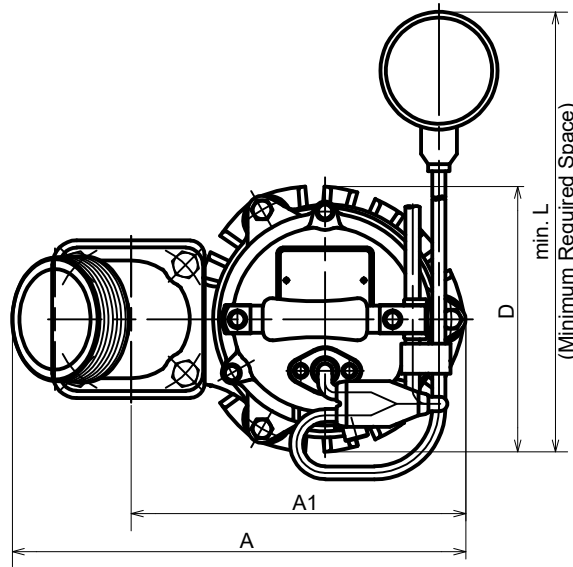
Model	HP	NOM. SIZE	Pump & Motor						C.W.L.	Wt.*
			A	A1	B	B1	D	H	W1	(lbs.)
HS3.75SL-62	1	3"	12 7/16	9 3/16	10 3/4	5 9/16	7 1/4	16 3/4	4 3/4	49

DIMENSIONS:METRIC (mm)

*Excluding Cable

Model	kW	NOM. SIZE	Pump & Motor						C.W.L.	Wt.*
			A	A1	B	B1	D	H	W1	(kg)
HS3.75SL-62	0.75	80	316	233	273	141	184	425	120	22.4

HSZ3.75SL-62



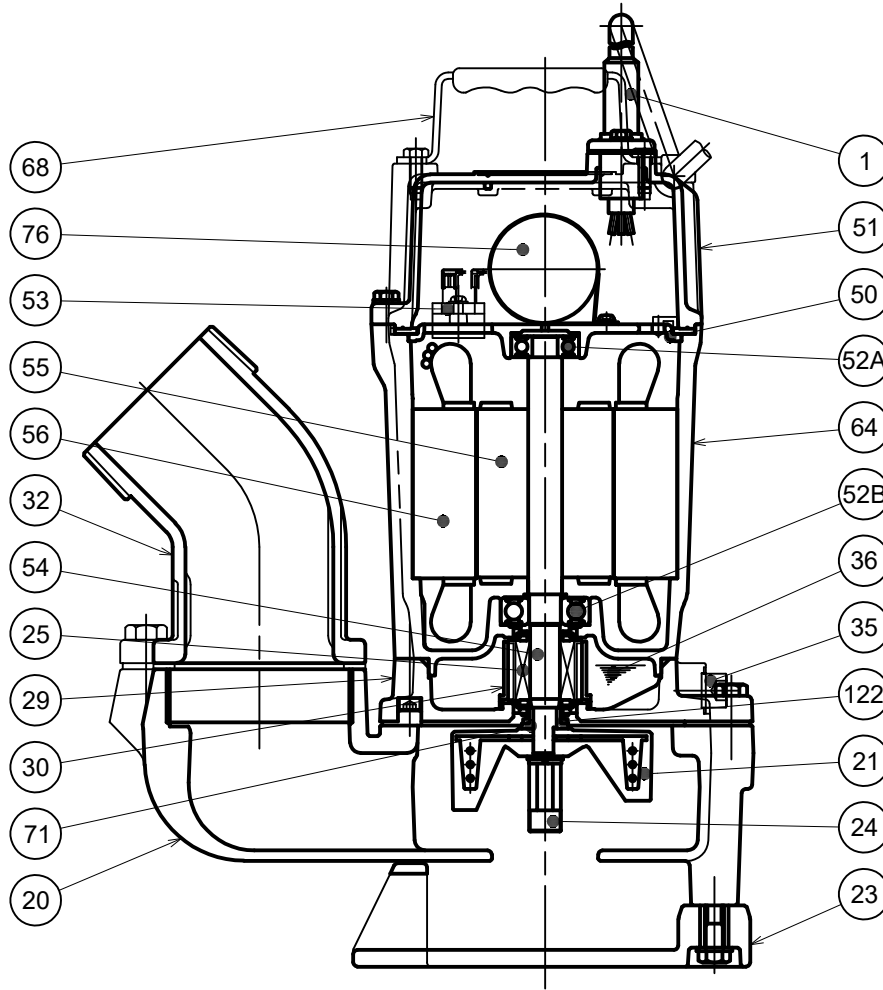
DIMENSIONS:USCS (Inch)

Model	HP	NOM. SIZE	Pump & Motor						Space	Stop	Start	Wt.* (lbs.)
			A	A1	B	B1	D	H	min. L	min. F1	max. F2	
HSZ3.75SL-62	1	3"	12 7/16	9 3/16	10 3/4	5 9/16	7 1/4	16 3/4	15 3/4	7 1/8	19 7/8	49

DIMENSIONS:METRIC (mm)

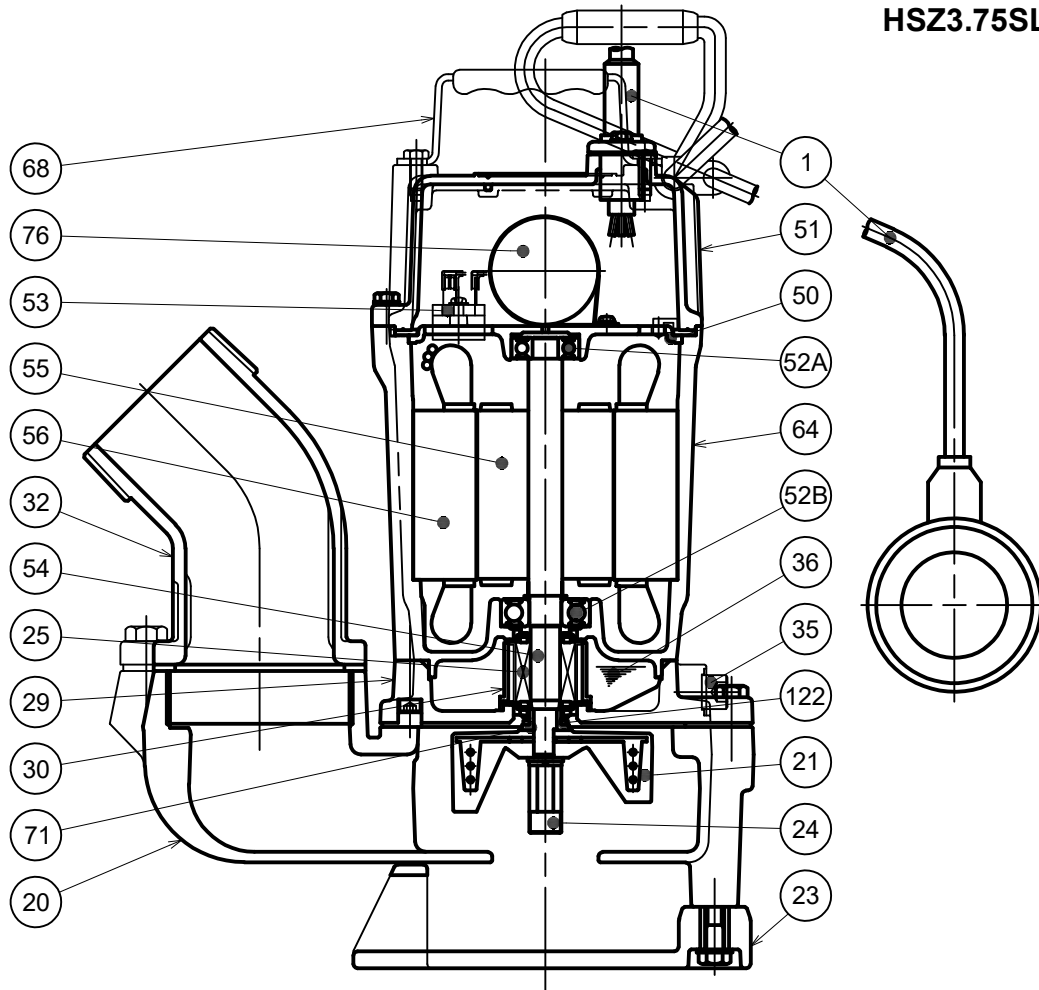
*Excluding Cable

Model	kW	NOM. SIZE	Pump & Motor						Space	Stop	Start	Wt.* (kg)
			A	A1	B	B1	D	H	min. L	min. F1	max. F2	
HSZ3.75SL-62	0.75	80	316	233	273	141	184	425	400	180	505	22.4

HS3.75SL-62


ITEM#	DESCRIPTION	MAIN MATERIAL / NOTE	RELATED ASTM, AISI CODE	RELATED EN CODE	Q'TY
1	Power Cable	PVC Sheath AWG14/3-32ft			1
20	Pump Casing	Ductile Cast Iron	A536 100-70-03	EN 1563 GJS-700-2	1
21	Impeller	Urethane Rubber			1
23	Suction Strainer	PVC			1
24	Agitator	Steel	A283 Grade D	EN 10025 S275	1
25	Mechanical Seal	Silicon Carbide / W-14VL			1
29	Oil Casing	Ductile Cast Iron	A536 100-70-03	EN 1563 GJS-700-2	1
30	Oil Lifter	PBT Resin			1
32	Discharge Connection	Cast Iron / NPT 3"	A48M Class30B	EN 1561 GJL-200	1
35	Oil Plug	Stainless Steel	S 30400	1.4301	1
36	Lubricant	Turbine Oil ISO VG32 or SAE10W-20			
50	Motor Bracket	Aluminum Alloy Die Casting	B85 383.0	EN 1706 AC-46100	1
51	Motor Head Cover	Aluminum Alloy Die Casting	B85 383.0	EN 1706 AC-46100	1
52A	Upper Bearing	#6201ZC3			1
52B	Lower Bearing	#6302ZC3			1
53	Motor Protector				1
54	Shaft	Stainless Steel	S 40300	1.4000	1
55	Rotor				1
56	Stator				1
64	Motor Housing	Aluminum Alloy Die Casting	B85 383.0	EN 1706 AC-46100	1
68	Handle	Steel (Hot Rolled)+ NR Rubber	A1011	EN 10111	1
71	Shaft Sleeve	Stainless Steel	S 30400	1.4301	1
76	Capacitor				1
122	V-Ring	Nitrile Butadiene Rubber			1

HSZ3.75SL-62



ITEM#	DESCRIPTION	MAIN MATERIAL / NOTE	RELATED ASTM, AISI CODE	RELATED EN CODE	Q'TY
1	Power Cable w/Float Set	PVC Sheath AWG14/3-32ft w/PP Resin + Chloroprene Sheath Cable			1
20	Pump Casing	Ductile Cast Iron	A536 100-70-03	EN 1563 GJS-700-2	1
21	Impeller	Urethane Rubber			1
23	Suction Strainer	PVC			1
24	Agitator	Steel	A283 Grade D	EN 10025 S275	1
25	Mechanical Seal	Silicon Carbide / W-14VL			1
29	Oil Casing	Ductile Cast Iron	A536 100-70-03	EN 1563 GJS-700-2	1
30	Oil Lifter	PBT Resin			1
32	Discharge Connection	Cast Iron /NPT 3"	A48M Class30B	EN 1561 GJL-200	1
35	Oil Plug	Stainless Steel	S 30400	1.4301	1
36	Lubricant	Turbine Oil ISO VG32 or SAE10W-20			
50	Motor Bracket	Aluminum Alloy Die Casting	B85 383.0	EN 1706 AC-46100	1
51	Motor Head Cover	Aluminum Alloy Die Casting	B85 383.0	EN 1706 AC-46100	1
52A	Upper Bearing	#6201ZZC3			1
52B	Lower Bearing	#6302ZZC3			1
53	Motor Protector				1
54	Shaft	Stainless Steel	S 40300	1.4000	1
55	Rotor				1
56	Stator				1
64	Motor Housing	Aluminum Alloy Die Casting	B85 383.0	EN 1706 AC-46100	1
68	Handle	Steel (Hot Rolled)+NR Rubber	A1011	EN 10111	1
71	Shaft Sleeve	Stainless Steel	S 30400	1.4301	1
76	Capacitor				1
122	V-Ring	Nitrile Butadiene Rubber			1