

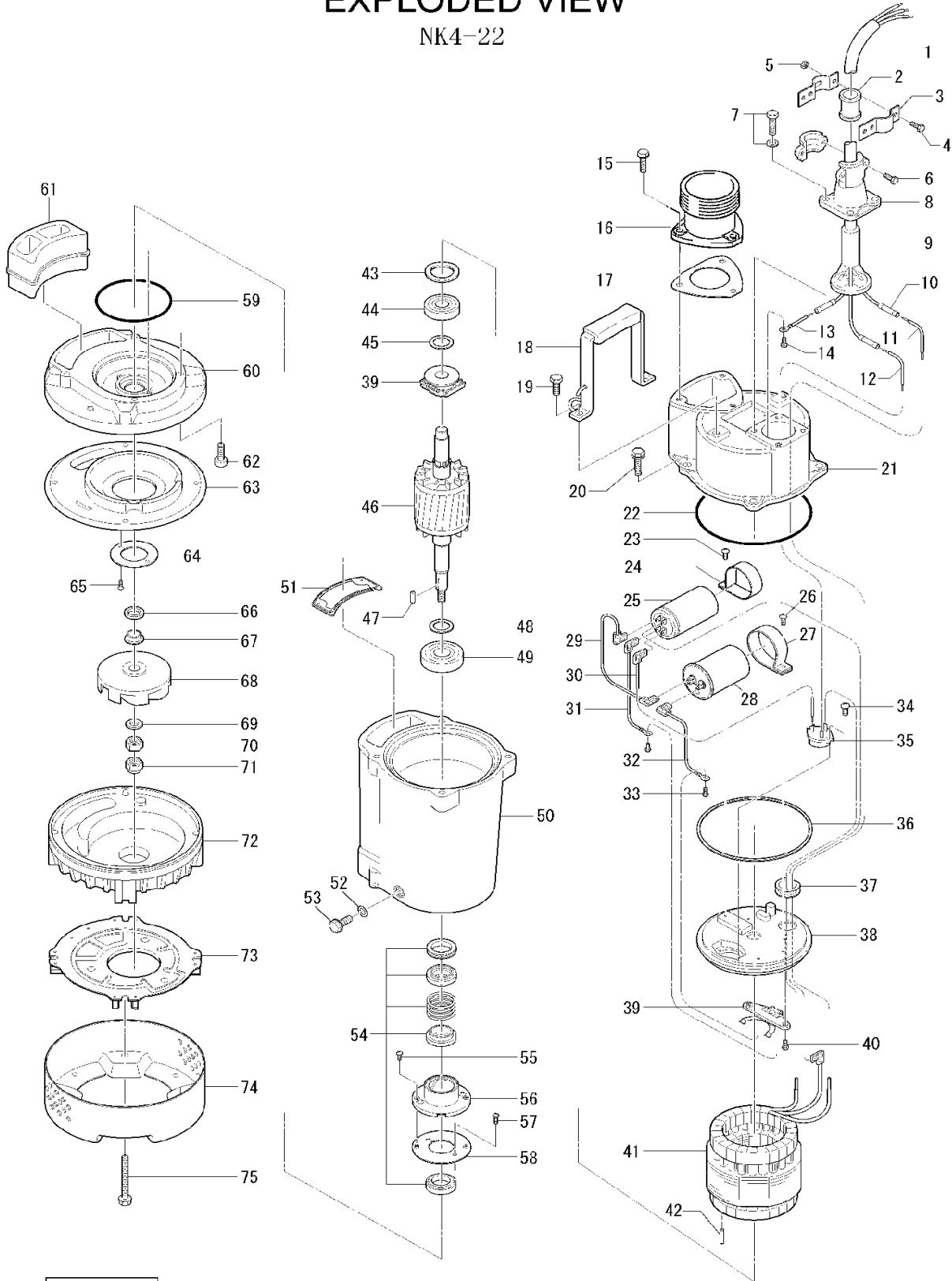
PARTS LIST		SINGLE PHASE DEWATERING PUMP				9/20/2024
ITEM	PART No.	DESCRIPTION	QTY	SIZE	MATERIAL	NOTES
1	001-499-16	Cabtyre Cable Set (32') 60Hz (USA)	1	2PNCTF3Cx2mm2	KTV	
2	010-124-15	Cable Clip Rubber	1	No.3	NBR	
3	010-135-19	Cable Clip	2	LP-3700A/S	SPC	
4	140-030-19	Hex.Bolt	2	M6x12	SUS304	
5	141-004-17	Hex.Nut	2	M6	SUS304	
6	140-033-12	Hex.Bolt	2	M6x16	SUS304	included in ITEM#1 Cable Ass'y
7	140-447-13	Hex.Bolt (w/Plain Washer)	4	M8x25(B=12)	SUS304	
8	006-000-68	Stuffing Box 230V-60Hz(USA)	1	No.1-1(w/Clamp)	ADC	included in ITEM#1 Cable Ass'y
9	008-133-10	Mould Cover 230V-60Hz(USA)	1	No.1-9	CR	included in ITEM#1 Cable Ass'y
10	009-274-17	Compression type Terminal	3	TMNB-2(Insulated)		
11	009-001-91	Intermediate Lead Wire	1	AWG14x140L (White)		
12	009-001-81	Intermediate Lead Wire	1	AWG14x190L (White)		
13	009-001-86	Intermediate Lead Wire	1	AWG14x95L (Earth)	H-VSF	
14	143-000-71	Tapping Pan Screw (w/Spring Washer)	1	M4x6	SWRM	
15	140-477-12	Hex.Bolt (w/Plain Washer)	3	M8x30	SUS304	
16	032-355-15	Hose Coupling (3")	1	NPT-3(KTV2-15)	FC	
	032-351-11	Hose Coupling (2" OPTION)	1	NPT-2(KTV2-15)	FC	2" OPTION
17	121-001-09	Packing	1	KTV2-15/22	NBR	*
18	068-000-34	Handle	1	KTZ21.5/32.2 (w/Shackle,H=150)	SPC+NBR	
19	140-074-15	Hex.Bolt	2	M10x20	SUS304	
20	140-433-16	Hex.Bolt (w/Spring Washer/Plain Washer)	4	M10x35	SUS304	
21	051-000-64	Head Cover	1		ADC	
22	122-000-63	O-Ring	1	GS-160 (159.3xd3.1)	NBR	*
23	143-000-73	Pan Screw (w/Spring Washer)	1	M4x8	SWRM	
24	127-000-99	Capacitor Fixing Plate	1	d51(1.0t)	SPC	
25	076-142-13	Capacitor 230V-60Hz(USA)	1	200MF-250VAC	(T)	
26	143-000-73	Pan Screw (w/Spring Washer)	1	M4x8	SWRM	
27	127-001-02	Capacitor Fixing Plate	1	d56 (t=1)	SPCC	
28	076-000-61	Capacitor 230V-60Hz(USA)	1	30MF-400VAC (d56x75L)		
29	009-001-84	Intermediate Lead Wire	1	AWG14x110L (Black)		
30	009-001-83	Intermediate Lead Wire	1	AWG14x160L (Black)		
31	009-001-92	Intermediate Lead Wire	1	AWG14x270L (Red)		
32	009-001-93	Intermediate Lead Wire	1	AWG14x270L (White)		
33	143-000-74	Pan Screw	2	M3x6	SWRM	
34	143-000-72	Truss Screw	2	M4x8	SWRM	
35	053-002-21	Motor Protector 230V-60Hz(USA)	1	KA143-CCTL402	(H.C)	
36	121-001-73	Packing	1	d157xd167X2t	NBR	
37	016-000-17	Lead Wire Protection Bush	1		NBR	

PARTS LIST		SINGLE PHASE DEWATERING PUMP				9/20/2024
ITEM	PART No.	DESCRIPTION	QTY	SIZE	MATERIAL	NOTES
38	050-001-27	Motor Bracket	1		FC	
39	077-000-02	Centrifugal Switch	1	GS-119 (d20)		
40	143-015-17	Pan Screw	2	M4x10	SWRM	
41	056-009-30	Stator 230V-60Hz(USA)	1Set			
42	145-031-15	Spring Pin	1	#4x25l	SCM	
43	142-194-18	Wave Washer	2	6203	SK5	
44	052-102-17	Bearing	1	6203ZZC3		
45	061-152-10	Bearing Collar	1	d17.1xd23x1.6t	SPC	
	055-003-28	Rotor + Bearing + Centrifugal Switch Set	1Set	No.39,44,45,46,48,49		
46	055-003-29	Rotor	1Set			
47	147-128-16	Impeller Key	1	5x5x18.5L	SUS403	
48	061-161-12	Bearing Collar	1	d25.1xd36x1.6t	SPC	
49	052-108-13	Bearing	1	6305ZZC3		
50	064-001-46	Motor Frame	1		ADC	
51	121-445-12	Packing (Water Way, Upp.)	1	KTV2-15/22	NBR	*
52	121-246-11	Packing	1	d10.3xd16x2t	PE	*
53	035-125-13	Oil Plug	1	M10x20(B=13)	SUS304	
54	025-000-06	Mechanical Seal	1	H-20T(E)	SIC	
55	143-070-23	Pan Screw	2	M5x6	SWRM	
56	030-144-13	Oil Lifter	1	H-20(A)(T)	Resin	
57	143-070-10	Pan Screw	2	M5x6	SWRM	
58	030-155-17	Seal Stopper	1	H-20(KTV2)	SPCC	
59	122-134-18	O-Ring	1	G-115(114.4xd3.1)	NBR	*
60	029-000-77	Oil Casing	1	KTV2-15/22	ADC	
61	121-001-04	Packing (Water Way, Low.)	1	KTV2-15/22	SBR	*
62	140-270-13	Hex.Socket Cap Bolt	4	M8x30	SUS304	
63	031-000-08	Wear Ring	1	KTV2-15/22	BR+NR	
64	058-000-25	Protection Plate	1	d41xd70x3t	SUS304	
65	143-166-14	Flat Screw	2	M4x8	SUS304	
66	122-443-13	V-Ring	1	VR-20	NBR	
67	071-297-19	Shaft Sleeve	1	d16xd20x10l	SUS304	
68	021-F75-19	Impeller (60Hz)	1	NK4-22	FCD	
	021-F74-18	Impeller (50Hz) OPTION		NK4-22	FCD	50Hz OPTION
69	142-129-12	Plain Washer	1	M12	SUS304	
70	141-007-10	Hex.Nut	1	M12	SUS304	
71	141-032-14	Hex.Cap Nut	1	M12	SUS304	
72	020B1918	Pump Casing	1	KTV2-15/22	BR+NR	
73	127-249-12	Fixing Plate	1	KTV2-15/22	SPCC	

PARTS LIST		SINGLE PHASE DEWATERING PUMP				9/20/2024
ITEM	PART No.	DESCRIPTION	QTY	SIZE	MATERIAL	NOTES
74	023-432-19	Strainer Stand	1	KTV2-15/22	SPCC	
75	140-479-14	Hex.Bolt (w/Plain Washer)	4	M8x85	SUS304	
	173-003-59	Packing O-Ring Set	1Set	(Marked by *)		
17	121-001-09	Packing (Hose Coupling)	1	KTV2-15/22	NBR	*
22	122-000-63	O-Ring (M.Head cover/M.Frame)	1	GS-160(159.3xd3.1)	NBR	*
36	121-001-73	Packing (M.Head cover/M.Frame)	1	d157xd167X2t	NBR	*
51	121-445-12	Packing (Water Way, Upp.)	1	KTV2-15/22	NBR	*
52	121-246-11	Packing (Oil Plug)	1	d10.3xd16x2t	PE	*
59	122-134-18	O-Ring (M.Frame/O.Casing)	1	G-115(114.4xd3.1)	NBR	*
61	121-001-04	Packing (Water Way, Low.)	1	KTV2-15/22	SBR	*
		Lubricant		Turbine Oil VG32 270ml		

PARTS LIST		SINGLE PHASE DEWATERING PUMP			9/20/2024	
ITEM	PART No.	DESCRIPTION	QTY	SIZE	MATERIAL	NOTES

EXPLODED VIEW NK4-22



C-001602-2

* Indicates items included in set