

PARTS LIST		WATER FEATURE PUMP			1/13/2022	
ITEM	PART No.	DESCRIPTION	QTY	SIZE	MATERIAL	NOTES
1	001-010-78	Cabtyre Cable Set (20') 115V-60Hz (USA)	1	STOW3x1.25mm2(CSA)	LB	replaces OLD part# 001-943-36
	001-010-79	Cabtyre Cable Set (32') 115V-60Hz(USA)	1	STOW3x1.25mm2(CSA)	LB	32' OPTION
2	143-000-33	Hex.Tapping Screw	2	M5x20	SUS304	
3	003-190-10	Gland	1		SUS316	
4	051-000-46	Head Cover	1		Resin	
5	140-000-07	Hex.Bolt (w/Plain Washer)	4	M6x30(22L)	SUS304	
6	122-004-18	O-Ring	4	P-6(5.8xd1.9)	NBR	*
7	143-085-34	Pan Screw (w/Spring Washer)	1	M4x6	C3604	
8	009-001-25	Earth Terminal	1Set	AWG16x170L		
9	076-000-63	Capacitor 115V-60Hz(USA)	1	45MF-220VAC		replaces OLD part# 076-000-01
	076-000-08	Capacitor 230V-60Hz(USA)	1	12MF-440VAC		
10	143-000-04	Pan Screw	4	M5x118(20L)	SWRM	
11	050-000-02	Motor Bracket	1		ADC	
12	121-471-17	Packing	1	d126.6xd135.6x6t	NBR	*
13	056-007-91	Stator(w/M.Frame) 115V-60Hz(USA)	1Set	w/Miniature Protector		
	056-007-93	Stator(w/M.Frame) 230V-60Hz(USA)	1Set	w/Miniature Protector		
14	071-000-01	Collar	1	37L	SECC	
15	142-000-91	Wave Washer	1	6201(D=30.6,t=0.35)	SK5	
16	052-100-15	Bearing	1	6201ZZC3		
17	055-002-90	Rotor	1Set	w/Bearing		
18	061-157-15	Bearing Collar	1	d15.1xd21x1.6t	SPCC	
19	052-101-16	Bearing	1	6202ZZC3		
20	060-001-36	Bearing Housing	1		ADC	
21	025-000-78	Mechanical Seal	1	W-14HL (ROHS)	SSiC	replaces OLD part# 025-290-19
22	030-000-01	Oil Lifter	1	VANCS2	Resin	
23	121-001-12	Packing	1	VANCS2	NBR	*
24	035-127-15	Oil Plug	1	M10x15	SUS304	
25	121-246-11	Packing	1	d10.3xd16x2t	PE	*
26	140-000-03	Hex.Bolt (w/Spring Washer)	4	M6x25	SUS304	
27	029-000-95	Oil Casing	1	VANCS2	Resin	
28	143-000-26	Truss Screw (w/O-Ring)	4	M6x20(P-5,NBR)	SUS304	
29	142-354-18	Conical Spring Washer	1	d11.2xd22.5x0.8t	SUS304	
30	021G2629	Impeller (60Hz)	1	50PN2.4S-63	Resin	
31	143-140-12	Truss Screw (w/Plain Washer)	1	M6x12	SUS304	
32	122-000-07	O-Ring	1	122xd3.0	NBR	*
33	140-000-09	Hex.Bolt (w/Spring Washer)	2	M8x45	SUS304	
34	048-000-07	Screwed Flange	1	50mm(P.C.90)PT	Resin	
35	121-469-12	Packing	1	P.C.90xd58x2t	NR	*
36	020-000-06	Pump Casing	1	(40/50)PN/PSF2.25/.4/.75	Resin	

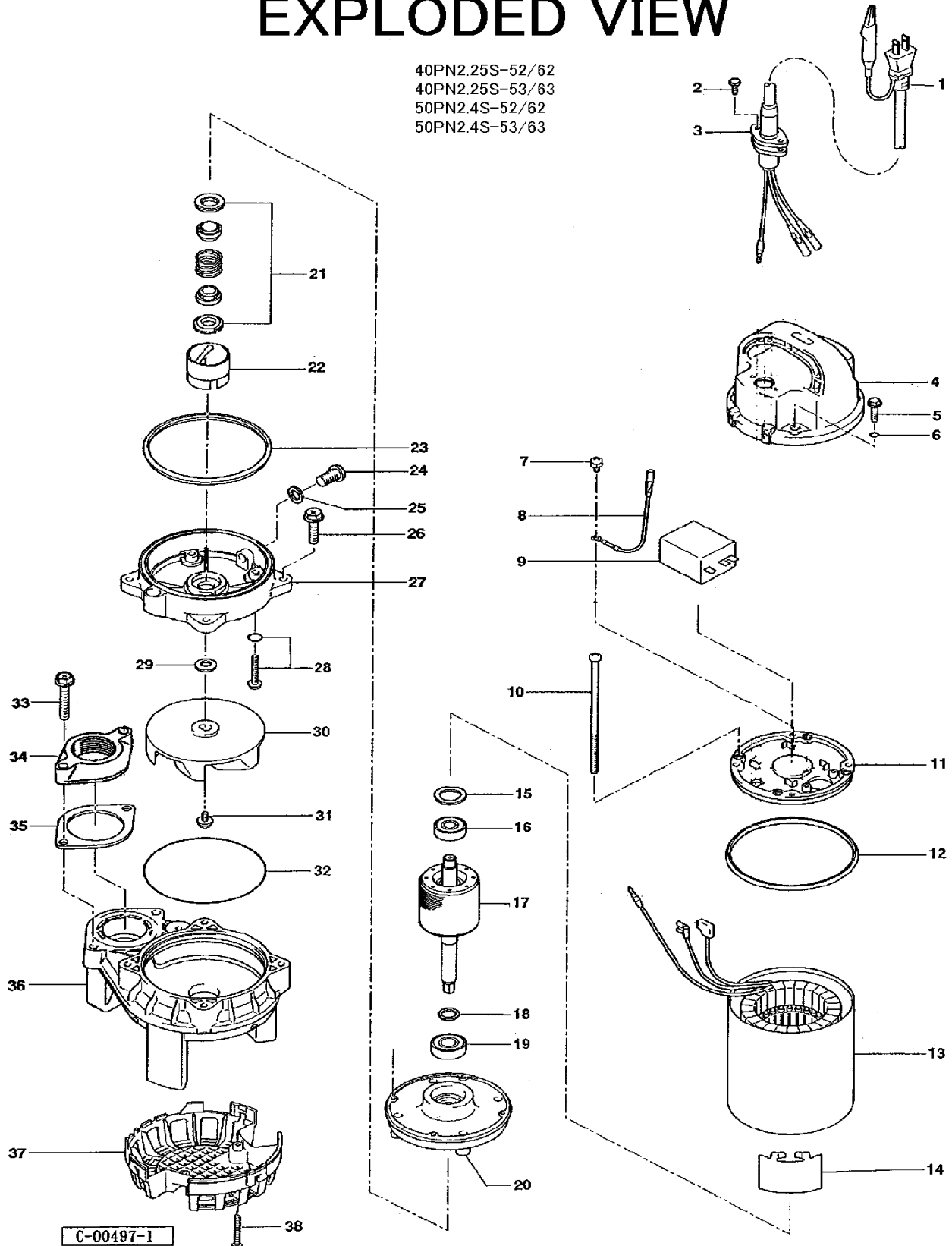
* Indicates items included in set

PARTS LIST		WATER FEATURE PUMP				1/13/2022
ITEM	PART No.	DESCRIPTION	QTY	SIZE	MATERIAL	NOTES
37	023-000-01	Strainer	1	(40/50)PN/TM/TQ2. 25/.4/.75	Resin	
38	143-000-10	Truss Tapping Screw	2	M4x18	SUS304	
	173-003-14	Packing O-Ring Set	1Set	(Marked by *)		
6	122-004-18	O-Ring (Head Cover Fixing Bolt)	4	P-6(5.8xd1.9)	NBR	*
12	121-001-46	Packing (Head Cover/M.Frame)	1	d125.7xd134.7x6t	NBR	*
23	121-001-12	Packing (M.Frame/O.Casing)	1	VANCS2	NBR	*
25	121-246-11	Packing (Oil Plug)	1	d10.3xd16x2t	PE	*
28	122-003-17	O-Ring (P.Casing Fixing Screw)	4	P-5(4.8xd1.9)	NBR	*
32	122-000-07	O-Ring (O.Casing/P.Casing)	1	122xd3.0	NBR	*
35	121-469-12	Packing (Screwed Flange)	1	P.C.90xd58x2t	NR	*
		Lubricant		Liquid Paraffin VG32 240ml		

PARTS LIST		WATER FEATURE PUMP			1/13/2022	
ITEM	PART No.	DESCRIPTION	QTY	SIZE	MATERIAL	NOTES

EXPLODED VIEW

40PN2.25S-52/62
 40PN2.25S-53/63
 50PN2.4S-52/62
 50PN2.4S-53/63



C-00497-1